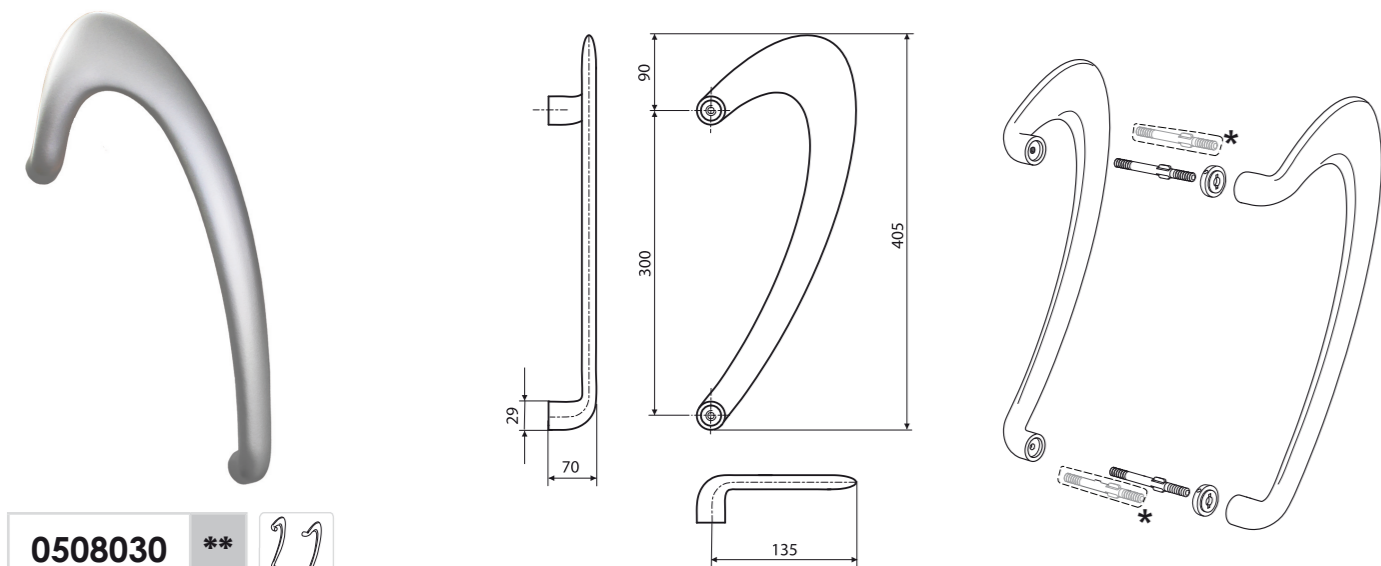








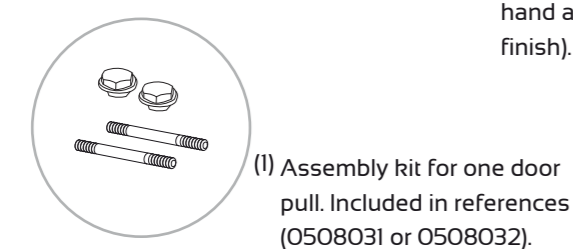
NEW

### NAOS DOOR PULL

The Naos door pull is presented as a completely new design, which is more modern and ergonomic. It is ideal for entrance doors to all types of buildings and commercial establishments. The assembly kit is included.



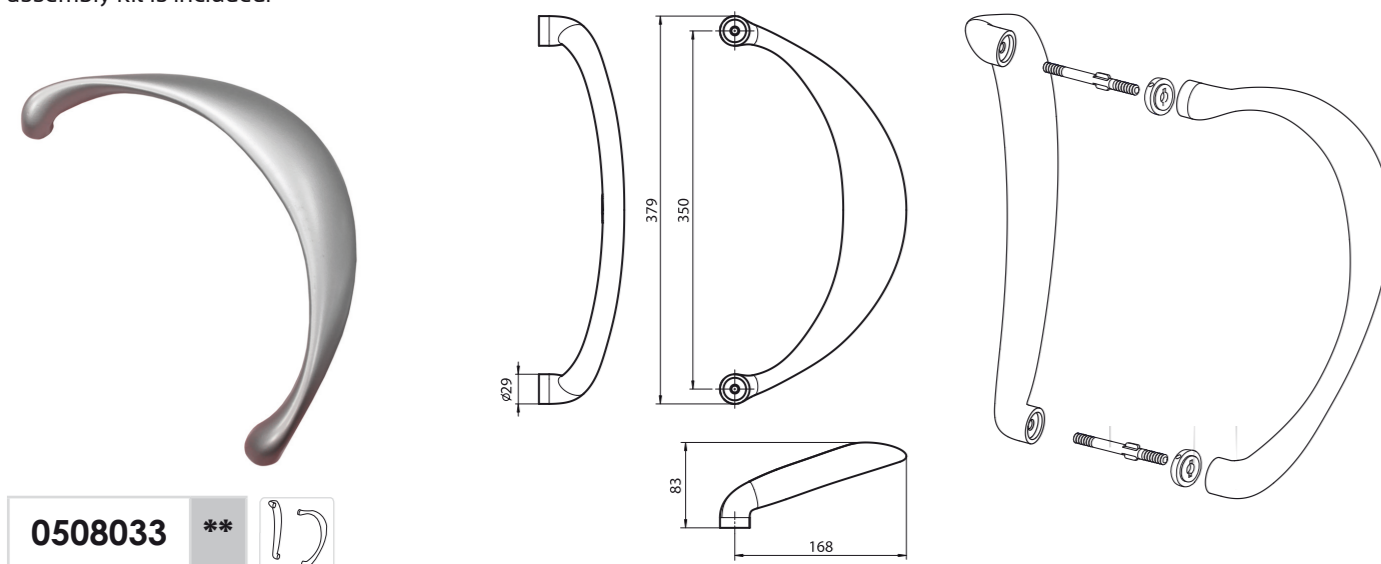
- 0508030 \*\* 
  - 0508031 \*\* 
  - 0508032 \*\* 
- \*\***   








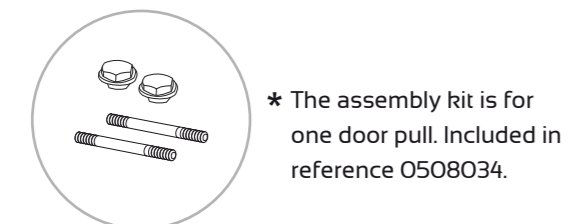
NEW

### FÉNIX DOOR PULL

An ideal door pull for entrance doors to all types of buildings and commercial establishments. The Fénix door pull is in keeping with the style and symmetry of the window door pulls and the balcony slider. The assembly kit is included.



- 0508033 \*\* 
  - 0508034 \*\* 
- \*\***   



**STAC CENTRAL España**  
 Pol. industrial Picusa s/n  
 15900 Padrón (A Coruña)  
 T (+34) 981 817 036  
 F (+34) 981 817 037  
 comercial@stac.es

**STAC Polska**  
 Ul. Banacha 11  
 41-219 Sosnowiec  
 T/F (+48) 322 630 740  
 polska2@stac.es (North)  
 polskal@stac.es (South)  
 export@stac.es

**STAC Maroc**  
 Route nationale 1 Km, 92  
 Comune Rurale Laouamra  
 Larache  
 T (+212) 05 39 520 222  
 F (+212) 05 39 520 223  
 maroc@stac.es

www.stac.es

### NAOS & FÉNIX DOOR PULL HANDLES



JANUARY 2015 Edition MKT-0073EN

## STAC








### POLARIS & GÉMINIS DOOR HANDLES ARIES HINGE

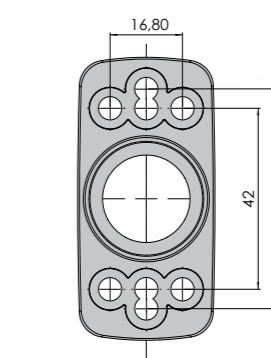
NEW

### POLARIS HANDLE

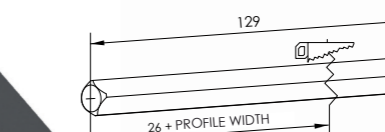


- 05182 \*\*  
  - 05183 \*\*  
- \*\***  

DIMENSIONS FOR PROFILE FABRICATION



SPINDLE DIMENSION



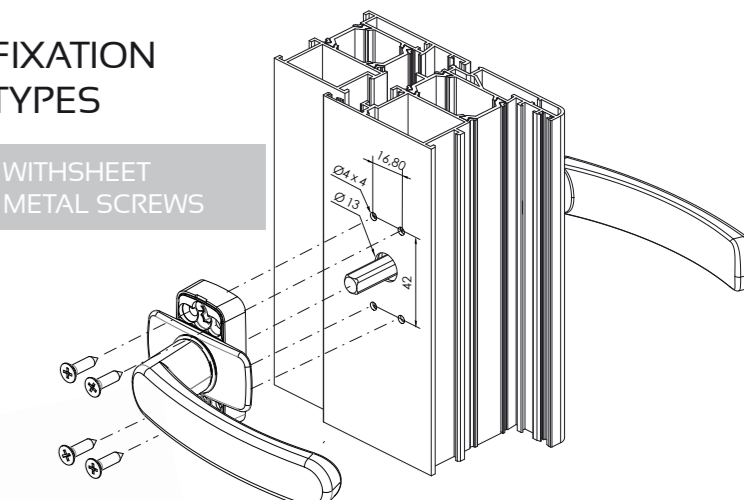
Simple and rapid installation. Multiple possibilities of fixation:

- Withsheet metal screws direct to profile.
- Interior/Exterior security screw across the lock.
- Possibility of fixation with blind rivet nuts.

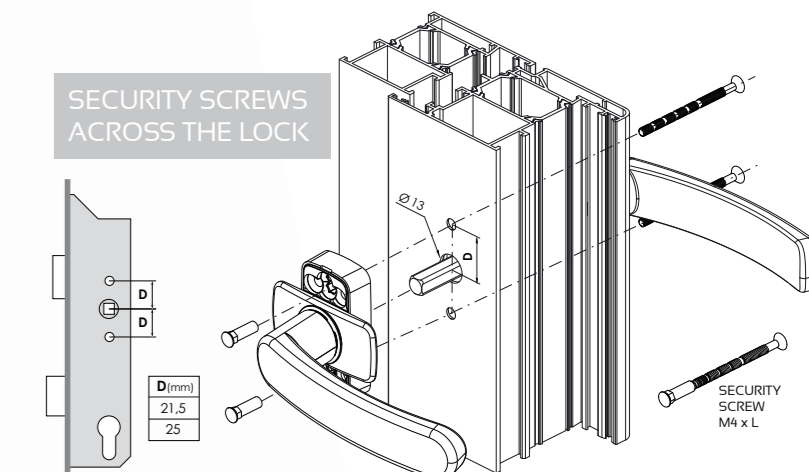
New design focused on increasing the hardness due to the new market requirements of the of the broadest profiles with heavier glasses.

### FIXATION TYPES

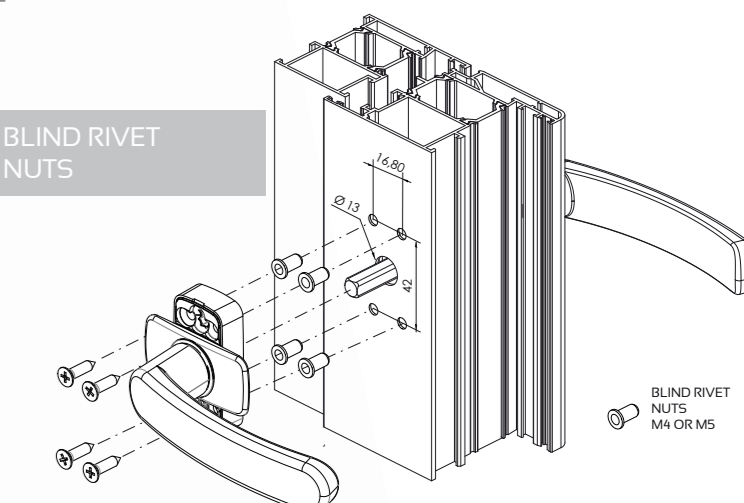
#### WITHSHEET METAL SCREWS



#### SECURITY SCREWS ACROSS THE LOCK



#### BLIND RIVET NUTS



## DOOR ACCESSORIES

HINGES · HANDLES · PULL HANDLES



## SIRIUS HANDLE

A return handle for doors in the same design line of the cremone handle Sirius.

**0508029** \*\* **AL** **AL** **50**

SIRIUS BARREL ESCUTCHEON

MAX. 70 138 61 17,5 8 65,5 31,5

STANDARD EUROPEAN BARREL (NOT INCLUDED).

<b>A05082</b> **	<b>20</b>	<b>AL</b> <b>AL</b> <b>PVD</b> <b>LAQUER FINISH</b>
<b>A05083</b> **	<b>25</b>	<b>AL</b> <b>AL</b> <b>PVD</b> <b>LAQUER FINISH</b>

## GÉMINIS HANDLE

A return handle for doors.

**0508028** \*\* **AL** **AL** **50**

GÉMINIS BARREL ESCUTCHEON

MAX. 70 mm 138 62,35 62,35 0,84 mm 29,90 65,00 65,00

STANDARD EUROPEAN BARREL (NOT INCLUDED).

<b>05080</b> **	<b>12</b>	<b>AL</b> <b>AL</b> <b>PVD</b> <b>LAQUER FINISH</b>
<b>081</b> **	<b>24</b>	<b>AL</b> <b>AL</b> <b>PVD</b> <b>LAQUER FINISH</b>

## LIBRA HANDLE

A narrow return handle for doors.

**082** \*\* **20** **AL** **AL** **PVD** **LAQUER FINISH**

**083** \*\* **25** **AL** **AL** **PVD** **LAQUER FINISH**

MAX. 70 mm 138 32,90 32,90 8,6 mm 30,70 65,00

Compatible with barrel escutcheons: 0508028 & 0508029.

STANDARD EUROPEAN BARREL (NOT INCLUDED).

## ARIES HINGES

A universal adjustable door hinge. Maximum load: **160 kg**. See technical file.

**ARIES DOUBLE FRICTION HINGE**

25-40 Nm 20-40 Nm

TRADITIONAL FIXING

<b>010C2</b>	<b>C</b>	<b>60</b>	<b>66</b>	<b>80</b>	<b>93</b>	<b>**</b>	<b>AL</b> <b>AL</b> <b>PVD</b> <b>LAQUER FINISH</b>	<b>2</b>
--------------	----------	-----------	-----------	-----------	-----------	-----------	---	----------

RAPID FIXING

<b>010T2</b>	<b>C</b>	<b>60</b>	<b>66</b>	<b>80</b>	<b>93</b>	<b>**</b>	<b>AL</b> <b>AL</b> <b>PVD</b> <b>LAQUER FINISH</b>	<b>2</b>
--------------	----------	-----------	-----------	-----------	-----------	-----------	---	----------

**ARIES TRIPLE FRICTION HINGE**

40 40 130 40 40 40 46,5 46,5

TRADITIONAL FIXING

<b>010C3</b>	<b>C</b>	<b>60</b>	<b>66</b>	<b>80</b>	<b>93</b>	<b>**</b>	<b>AL</b> <b>AL</b> <b>PVD</b> <b>LAQUER FINISH</b>	<b>2</b>
--------------	----------	-----------	-----------	-----------	-----------	-----------	---	----------

RAPID FIXING

<b>010T3</b>	<b>C</b>	<b>60</b>	<b>66</b>	<b>80</b>	<b>93</b>	<b>**</b>	<b>AL</b> <b>AL</b> <b>PVD</b> <b>LAQUER FINISH</b>	<b>2</b>
--------------	----------	-----------	-----------	-----------	-----------	-----------	---	----------

**ARIES TRIPLE FRICTION HINGE**

25-40 Nm 20-40 Nm

TRADITIONAL FIXING

<b>010C3</b>	<b>C</b>	<b>60</b>	<b>66</b>	<b>80</b>	<b>93</b>	<b>**</b>	<b>AL</b> <b>AL</b> <b>PVD</b> <b>LAQUER FINISH</b>	<b>2</b>
--------------	----------	-----------	-----------	-----------	-----------	-----------	---	----------

RAPID FIXING

<b>010T3</b>	<b>C</b>	<b>60</b>	<b>66</b>	<b>80</b>	<b>93</b>	<b>**</b>	<b>AL</b> <b>AL</b> <b>PVD</b> <b>LAQUER FINISH</b>	<b>2</b>
--------------	----------	-----------	-----------	-----------	-----------	-----------	---	----------

## ARIES HINGE ACCESSORIES

### TRADITIONAL FIXING

ARIES double friction hinge.

TRADITIONAL FIXING KIT

**05KC2** **1**

ARIES triple friction hinge.

TRADITIONAL FIXING KIT

**05KC3** **1**

### TRADITIONAL FIXING WEDGES

Different sized wedges with sleeves for Aries hinges with traditional fixing.

7-8-10 (mm)

**010CS** **07** **08** **10** **\*\*** **AL** **AL** **PVD** **LAQUER FINISH** **100**

### TRADITIONAL FIXING SCREWS

In steel with Delta-tone® finish.

M8 x 29,5 M8 x 39,5

**0505031** **0505032** **AL** **AL** **PVD** **LAQUER FINISH** **100**

### RAPID FIX WEDGES

Reccomended uses are applied for a profile thickness of e ≥ 1,6 mm.

Different sized wedges for Aries hinges with rapid fixing.

7-8-10 (mm)

**010TS** **07** **08** **10** **\*\*** **AL** **AL** **PVD** **LAQUER FINISH** **100**

### RAPID FIX SCREWS

In steel with zinc finish.

T12 x 50 T12 x 60

**0505041** **0505042** **AL** **AL** **PVD** **LAQUER FINISH** **100**

### SCREW TEMPLATE KIT

Adjustable screw template that facilitates and optimises screwing to the profile.

Ø 4 Ø 5 Ø 6 Ø 8

22 22 23,5 Ø 11 22 22 Ø 11 22

**P-010-01** **AL** **AL** **PVD** **LAQUER FINISH** **1**

## TAURUS HINGES

An adjustable hinge for Euro-Groove doors. Maximum loading: **100 kg**. See technical file.

**A011** **D** **I** **\*\*** **AL** **AL** **PVD** **LAQUER FINISH** **12**

6 mm Allen key

-1 mm +1 mm

A NEW ADJUSTABLE COVER AND NEW ACETAL SLEEVE WITH IMPROVED CLIP

## TAURUS CLX HINGES

An adjustable hinge for Euro-Groove doors, especially designed for large and heavy doors. Maximum loading: **160 kg**. See technical file.

**A011** **D** **I** **\*\*** **-160** **AL** **AL** **PVD** **LAQUER FINISH** **2**

**A011F** **\*\*** **-160** **AL** **AL** **PVD** **LAQUER FINISH** **2**

3 mm Allen key

+4 mm -2 mm

+1 mm +1 mm -1 mm

Height regulation Lateral regulation

TAURUS CLX HINGE SLEEVES